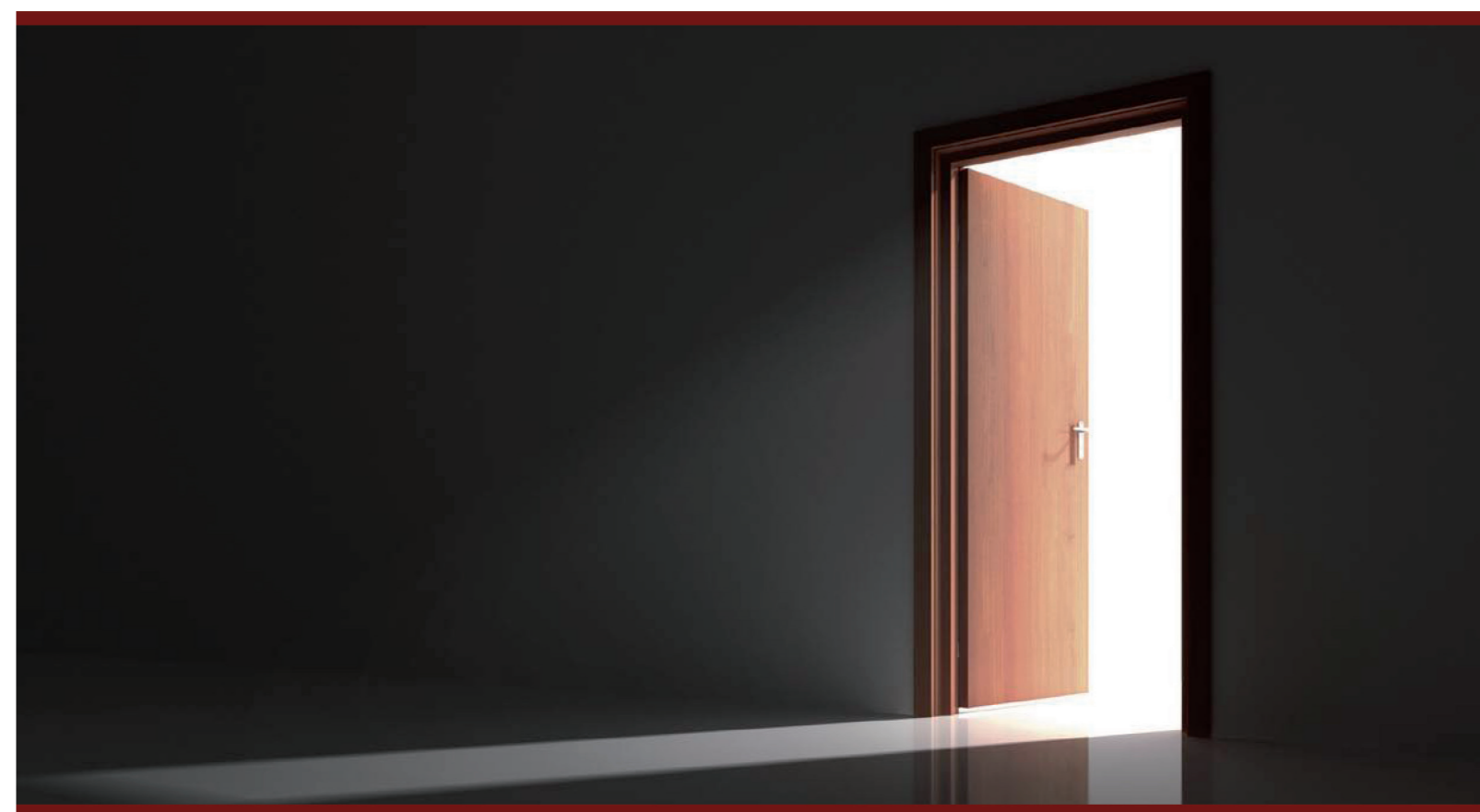


## FUNCTIONALITY AND AESTHETICS

Maximum safety with individual design

### DOOR WITH FINGER TRAPPING PROTECTION



FIRE RESISTING ■ SMOKE CONTROL ■ SOUND PROOFING  
BURGLARY PROTECTION ■ CLIMATE STABILITY

## DOOR WITH FINGER TRAPPING PROTECTION

### Reliable protection for children`s small hands

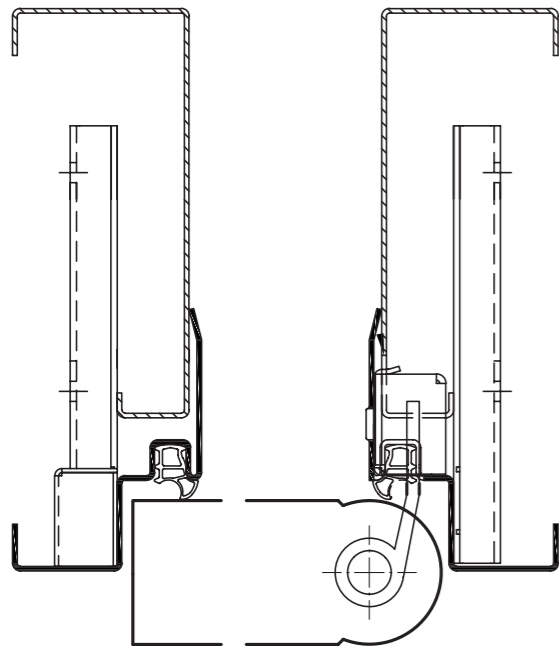
Alongside with well-known finger guard systems let us offer you an alternative that is more attractive architecturally.

Special hinges and half-round edge of the door leaf on the hinge side secure a minimum gap of 3 mm which does not change with the door's closing or opening positions. That way the joint place of the door poses no danger for young children's hands.

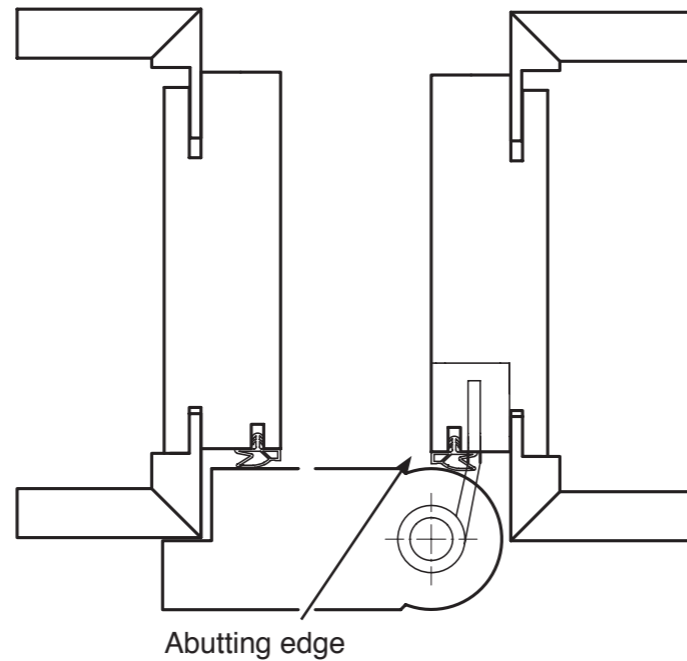
A door can be executed with either a wooden wrap-around or block frame, as well as steel frame. Half-round edge on the hinge side of the door can be made of different wood species or colored. Various combinations of color, high-pressure plastic and natural wood species will provide a whole range of appearances to your choice. Apart from that, a solid-wood edge is suitable for heavy duty and is best to be used in kindergartens.



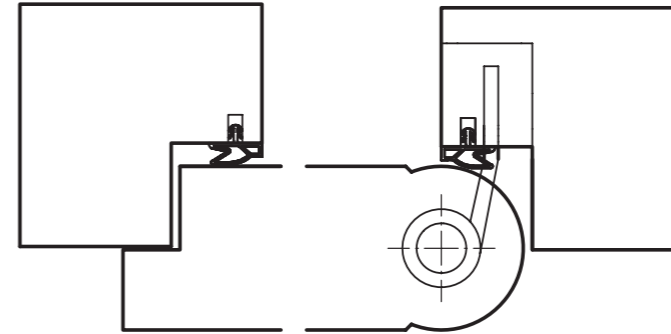
Steel frame



Wooden wrap-around frame



Wooden block frame



In pursuance of the German Social Accident Insurance (DGUV) in case of danger of trapping in places of junction special safety measures must be taken to avoid trapping by the door (DGUV, GUV-V S2 § 13, 3).

Design variations

- Wooden block frame
- Wooden wrap-around frame
- Steel wrap-around frame, in two parts, powder coated
- Also as door set with sidelite, fanlight, single-leaf or double-leaf door
- Door leaf made of chipboard or tubular chipboard
- Veneer laying
- HPL coating
- Varnishing with RAL colors
- Linoleum
- Visual panels, the form can be freely selected

